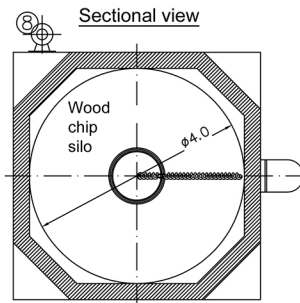
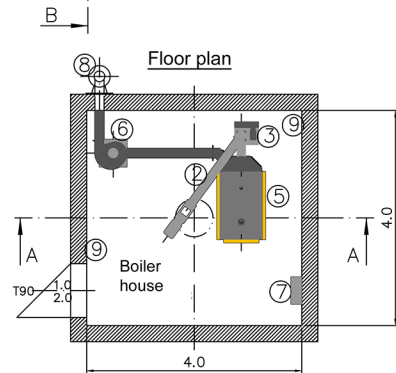


Legend:

- 1 Silo discharge
- 2 Metering screw
- 3 Stoker in RSE
- 4 Boiler base with ash pan
- 5 3 draft special wood combustion boiler in a recumbent position
- 6 Dust removal system Multi-cyclone
- 7 Suction draft fan
- 8 Electrical control cabinet
- 9 Smokestack
- 9 Vent holes in the boiler house
- 10 Emptying- and control door (silo)
- Access ladder



Design and construction proposal
for a smoke-free and fully automated
WOOD-CHIP HEATING SystemKURRI

Performance 100 or 150 kW
Silo 100 - 130 m³

Scale: 1:50

K.R.Ing. Ernst KURRI
Fliegergasse 70
A-2700 WR.NEUSTADT
Tel. 0043/(0)2622/23865 / - Fax 15