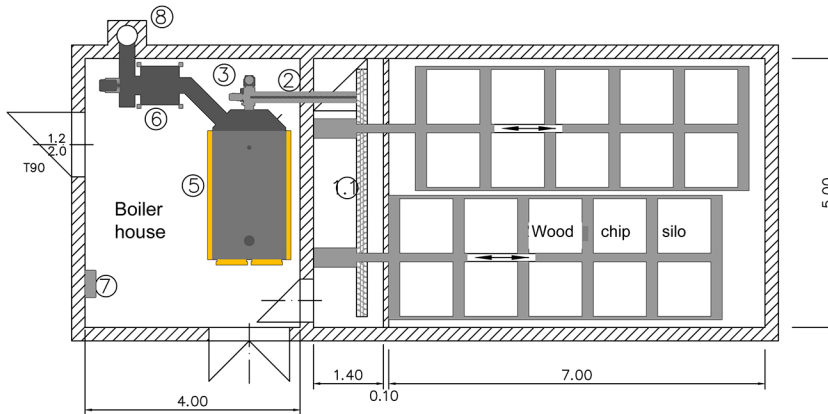
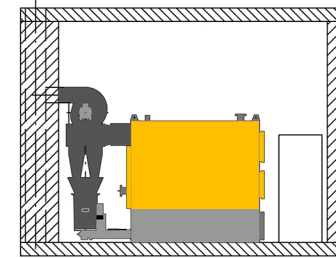
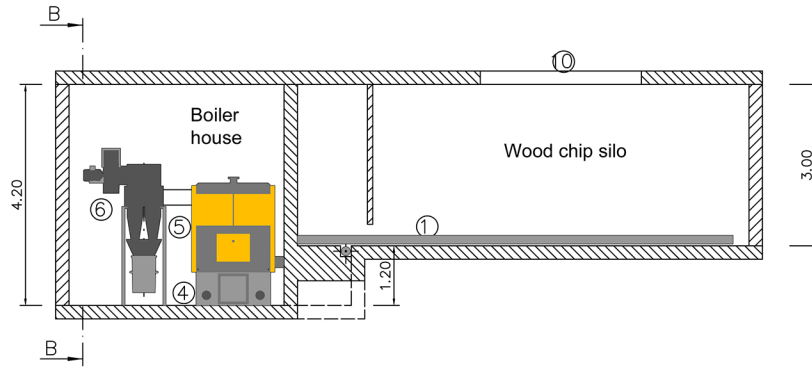



Sectional view B-B



Design and construction proposal

for a smoke-free and fully automated

WOOD-CHIP HEATING 

Performance 150 up to 2.000 kW out-put

Silo volume 100 up to 1.000m³

Scale 1:50

Legend:

- | | | | |
|-----|--|----|--|
| 1 | Push rod discharge | 6 | Dust removal system |
| 1.1 | Cross auger | | multi-cyclone |
| 2 | Metering screw | | suction draft ventilator |
| 3 | Stoker in RSE | 7 | Electrical control cabinet |
| 4 | Boiler base with ash pan | 8 | Smokestack |
| 5 | 3 draft special wood combustion boiler in a recumbent position | 9 | Vent holes in- and outlets in the boiler house |
| | | 10 | Construction opening |

K.R.Ing. Ernst KURRI

Fliebergasse 70

A-2700 WR.NEUSTADT

Tel. 0043/(0)2622/23865 / - Fax 15